

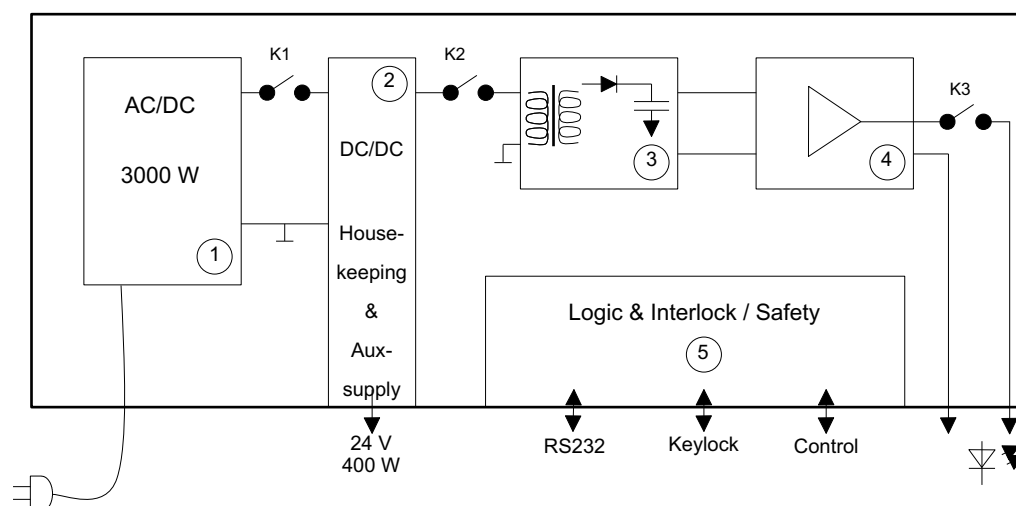


LDM 3000

Medical Laser Driver



- Medical hair removal
- High current pulse driver
- Low current ripple and overshoot
- Four independent interlock circuits
- Auxiliary power output (24 V)
- Internal pulse generator



Product Description

The LDM 3000 is a very versatile medical power unit especially for skin and tissue treatment like hair removal or surgery. It uses a medical approved 3 kW AC/DC power supply (1) combined with several optional safety interlocks and relays (K1, K2, K3) are making final medical certification easy. 24 V with up to 400 W are provided for customers main CPU or chillers (2).

The required isolated Cap charger (3), the capacitors and the output stage (4) are integrated to provide powerful pulses. Up to 300 ms duration, up to 120 V compliance and up to 250 A output current are available depending on final configuration.

A control logic & safety board is included with every system (5).

Technical Data*

Output current**	1 .. 200 A
Compliance voltage**	6 .. 50 V, up to 120 V possible
Pulse duration**	200 μ s .. 300 ms
Current ripple	< 1 % (measured at 200 A)
Current overshoot	< 5 % (measured at 200 A)
Current rise time **	< 50 μ s
Current fall time**	< 50 μ s
Current monitor	50 A/V
Output power**	6 kW peak, up to 2000 W mean
Supply voltage	AC Grid, 230 V
Aux. supply voltage	24 V DC, 400 W
Cooling	Forced air
Power connection	Phoenix 1969798
Load, Aux. supply	Phoenix 1969797
Dimensions in mm	340 x 230 x 170
Weight	11 kg

* Specifications measured with a fast recovery diode instead of a laser diode.
Technical data is preliminary and subject to change without further notice.

** Depending on model. Please contact us for further information.