



User Manual

LDP-VRM 045-12 CA



PicoLAS GmbH
Burgstr. 2
52146 Würselen
Germany

Phone: +49 (0) 2405-64594-60
Fax: +49 (0) 2405-64594-61
E-mail: info@picolas.de
Web : www.picolas.de

Table of Contents

Table of Contents	2
How to use the Manual.....	3
Absolute maximum Ratings (destroying limits)	3
Dos and Don'ts.....	3
How to get started	5
Required Laser Diode Pinout	6
Power Driver Block Diagram	6
Description of the Connectors.....	6
Power Connector (#1) and absolute maximum Ratings.....	6
Jumper (#2).....	6
Current Monitor (#3).....	6
Current Setpoint.....	7
Potentiometer for Bias and Scaling.....	7
Test Load.....	7
Power Dissipation.....	7
Mechanical Dimensions:.....	8

How to use the Manual



Remark:

Please read all instructions before powering up the device.
Please see section "Power Dissipation" for more details about thermal power losses during operation.



Please pay attention to all safety warnings.
If you have any doubt or suggestion, please do not hesitate to contact us!

Absolute maximum Ratings (destroying limits)

- All input pins may not exceed the voltage range below zero (GND) and beyond VCC, resp. 5 V TTL.
- VCC limit: see table in section "Power Connector (#1)"
- Peak output current: 5.0 A
- Operating temperature range: 0 °C .. +60 °C
- Best performance operating temperature range: +10 °C .. +35 °C
- Storage temperature range: -20 °C .. +70 °C

Dos and Don'ts

Never ground any output connector.

Never use any grounded probes at the output.

Do not connect your oscilloscope to the output!

Driver and the probe will immediately be destroyed!



Keep the connecting cables between power supply and driver as well as between driver and laser diode as short as possible.



Be aware of hot surfaces! Do not touch!

LDP-VRM 45-12 CA

Laser Diode Driver



PicoLAS

FOCUSSING POWER TO THE POINT

Rev. 2501



Product description

The LDP-VRM 045-12 CA is a fast driver for typical single laser diodes. With its high output voltage it is suitable for IR, blue LD's and all kinds of LEDs (no pure resistive load).

Depending on the supply voltages output currents of up to 5.0 A can be achieved.

The internal DC/DC converter stabilizes the voltage drop across the driving MOSFET to prevent excessive losses.

- » Analog modulation dc .. 100 kHz
- » Output current: 0 .. 5 A
- » High speed
- » Adaptive DC/DC converter

Technical data*

Output current (depending on supply voltage)	0 .. 3.4 A @ $U_{in} > 12 V$ 0 .. 4.5 A @ $U_{in} > 18 V$ 0 .. 5.0 A @ $U_{in} = 24 V$
Max. compliance voltage	Single laser diode, up to 12 V
Current noise	< 3%
Current overshoot	< 5%
Analog modulation	Approx. 100 kHz
Bandwidth	
Current setting input	0 .. 5 V
Current monitor	100mV/A
Trigger	Analog / TTL (jumper)
Supply voltage	12 .. 24 V, min. 3V above compliance
Power dissipation	6 W @ 4.5 A and $U_{in} 12 V$
Dimensions in mm	40 x 27.5 x 19.8
Weight	15g
Operating temperature	0 to +55 °C

*Specifications measured with a fast recovery diode instead of a laser diode.
**See manual for details
Technical data is subject to change without further notice.

- » Innovative current regulation concept actively prevents laser diode from overshoots and overcurrent
- » Protection against transients through regulated current rise time
- » Adaptive DC DC converter for lowest losses

Accessories

- » None

More information:

www.picolas.de

- » SHOP » LDP-VRM



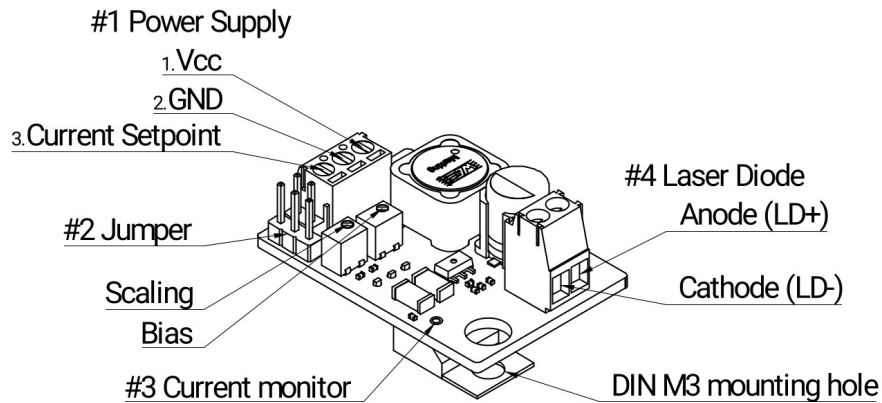
PicoLAS GmbH
Germany

Burgstraße 2
52146 Würselen

Phone: +49 (0)2405 64594 60
Fax: +49 (0)2405 64594 61

web: www.picolas.de
mail: sales@picolas.de

How to get started



The basic settings (scaling and BIAS current etc.) can be adjusted by potentiometer. Bias set a dc output current up to 1.6 A without connecting input signal.



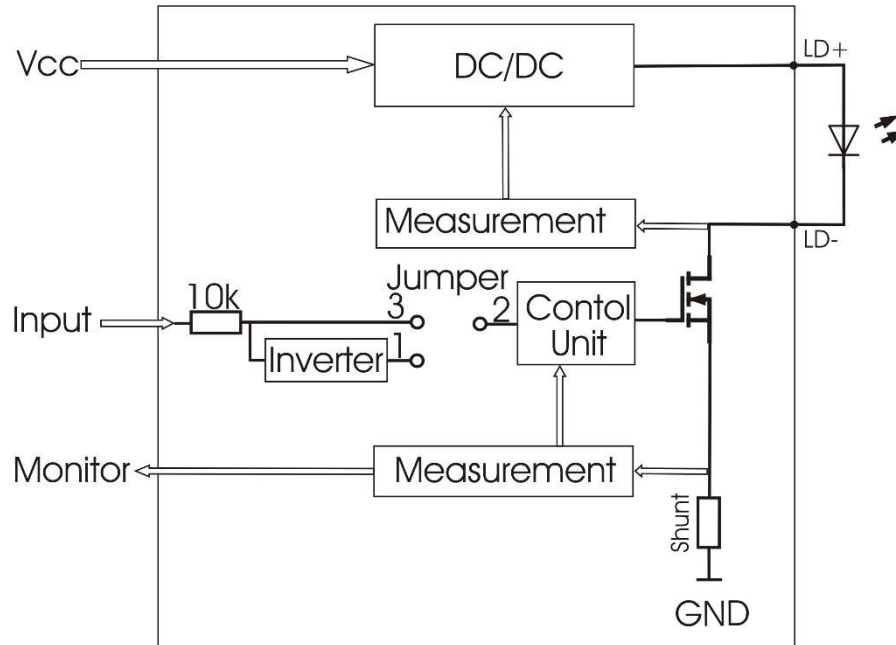
You need an additional waveform generator which has to be connected to the input terminal. There is no AWG included within the driver!

Step	What to do	Check
1	Solder a dummy diode between LD+ and LD-. Alternatively make a short circuit there.	See section "Test Load" range of compliance voltage 0 V .. 12 V.
2	Connect GND, VCC to power connector (power source disabled).	Range of VCC 12 V .. 24 V. Required max. current is about 5.0 A.
3	Connect waveform generator to input terminal (no pulse before enabling power supply).	See all section discussing input (connector #2).
4	Enable the power source.	
5	Adjust scaling and bias.	See potentiometer for scaling a bias.
6	Feed a signal on the input terminal. For example 1 kHz sine wave with 1 V amplitude.	Make sure not to overload the laser diode or the driver. Range of input signal 0 V .. 5 V.
7	Monitor the current output.	The current monitor measures a signal proportionally with the input signal. Use an oscilloscope with a 1 MEG ohm termination. Scale: 100 mV/A.
8	Disable the input signal and turn off the power source. Remove the test diode or bypass and assemble the final laser diode.	
9	Turn the power supply for the VCC on again.	Range of VCC 12 V .. 24 V.
10	Feed a signal to the input terminal.	Make sure not to overload the laser diode!

Required Laser Diode Pinout

The LDP-VRM 045-12 CA is designed for a direct connection to almost all kinds of laser diodes. Be careful to consider the polarity of the laser diode and connect it correctly to the driver.

Power Driver Block Diagram



Description of the Connectors

Connector	Function	
#1	Power connector	Screw terminal
#2	Jumper	Analog / Digital
#3	Current monitor	Scale 100 mV / A
#4	LD connector	Screw terminal

Power Connector (#1) and absolute maximum Ratings

Pin of conn. #3	Allowed range	Best performance	Destroying limit
1. VCC (laser supply)	12 V .. 24 V	3 V (above compliance)	25 V
2. GND	-	-	-
3. Current Setpoint	0 V .. 5 V	-	< -0.3 V; > +5.3 V

Jumper (#2)

The analog input can be switched to an inverted digital input. Set the jumper left to activate the inverted digital input.

Current Monitor (#3)

The scale of current monitor is 100 mV / A.

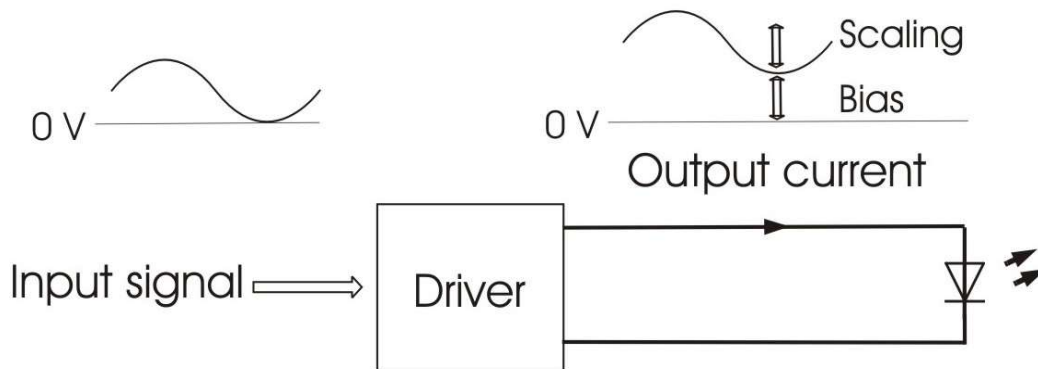
Current Setpoint

The analog setpoint signal is provided via power connector #1 on pin 3. The output current follows the input signal proportionally within the driver's limitations (bandwidth, max. current, rise time).

Potentiometer for Bias and Scaling

The bias potentiometer sets a dc output current up to 1.6 A which is added to the input signal. Turn it clockwise to increase the bias current.

The scaling potentiometer sets the scaling for the input signal. Turn it clockwise to increase the scale from 0 A / V to 0.5 A / V.



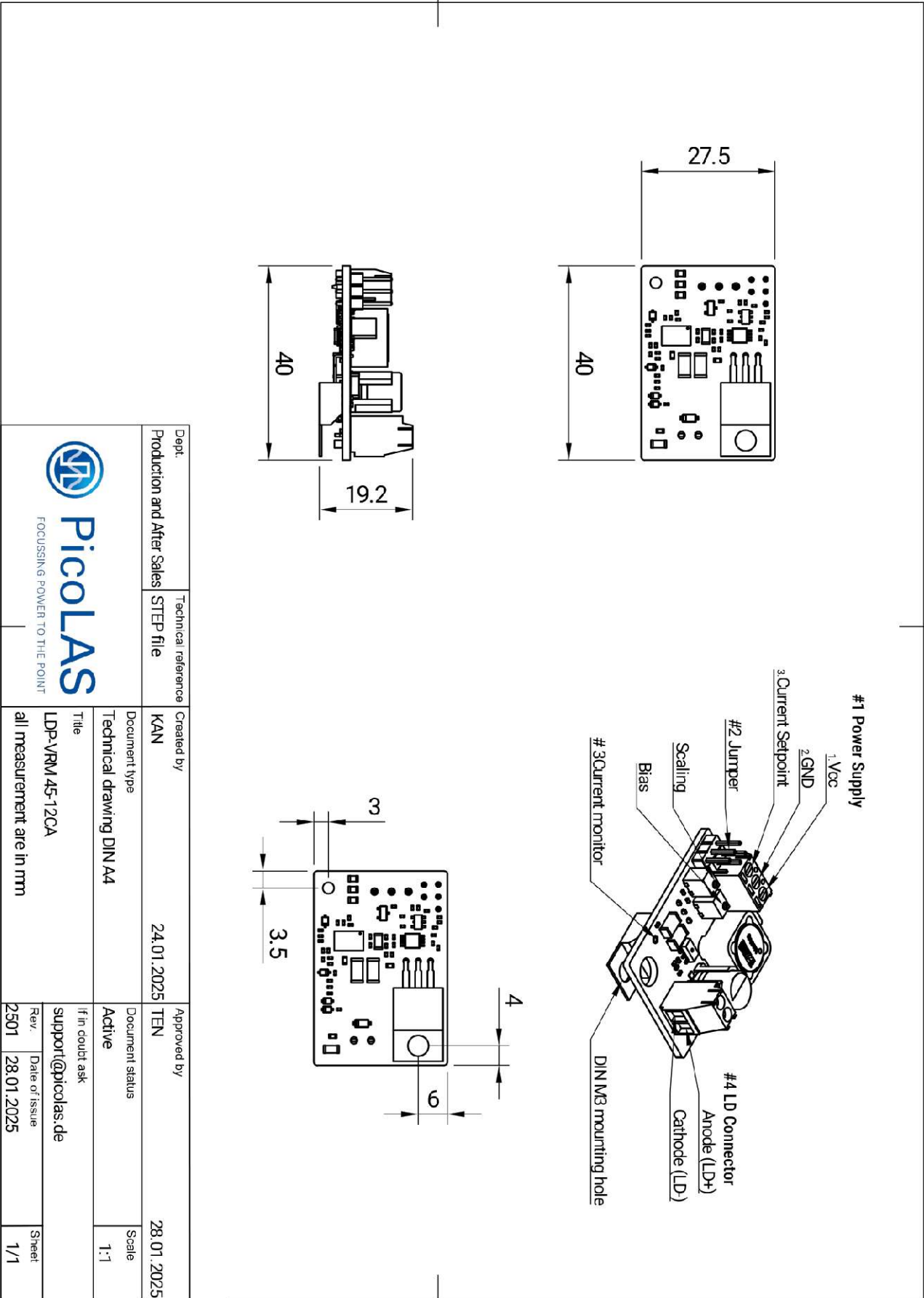
Test Load

For the first verification an appropriate test load may be assembled instead of the laser diode. This test load can either be a short circuit or a schottky diode like the ES3C. Please connect the test load only between anode and cathode (LD+ and LD-) and prevent shorts to any other part of the circuit.

Power Dissipation

The control of the driver reduces the power dissipation automatically to a minimum. The driver has to be cooled and allows a maximum power dissipation of 6 W.

Mechanical Dimensions:



Dept. Production and After Sales	Technical references STEP file	Created by KAN	Approved by TEN	24.01.2025	28.01.2025
Document type Technical drawing DIN A4		Document status Active	Scale 1:1		
Title LDP-VRM 45-12CA all measurement are in mm		if in doubt ask support@picolas.de		Rev. 2501	Date of issue 28.01.2025
 PICOLAS FOCUSsing POWER TO THE POINT		Sheet 1/1			